

WALL SHELVING DISPLAY (STANDARD)



STANDARD FEATURES

- NSF sanitation
- Dry back-wall element
- Sustaining bars with easy mounting system
- Lower shelf and ceiling in BA stainless steel
- Adjustable intermediate glass shelf
- Mirrored back-wall on exposition part and satin stainless steel on bottom part

OPTION: BACK WALL FRAME



OPTION: BACK WALL FRAME

WALL SHELVING DISPLAY (STANDARD) SPECIFICATIONS

MODELS	LENGTHS	DEPTHS	HEIGHT	WEIGHTS (LBS)
WS1000	40" (1000mm)	19 7/8" (506mm)	88 3/4" (2255mm)	143
WS1250	50" (1250mm)	19 7/8" (506mm)	88 3/4" (2255mm)	187
WS1500	60" (1500mm)	19 7/8" (506mm)	88 3/4" (2255mm)	220

WALL SHELVING DISPLAY (OPTION)

STANDARD (OPTION) FEATURES

- NSF sanitation
- Back-wall up to 235Hmm - 9 1/4"H
- One adjustable glass shelf
- Mirror back panel with laminated frame (ALPI wood or DE.CO. laminates)
- Silver aluminum canopy with LED lighting

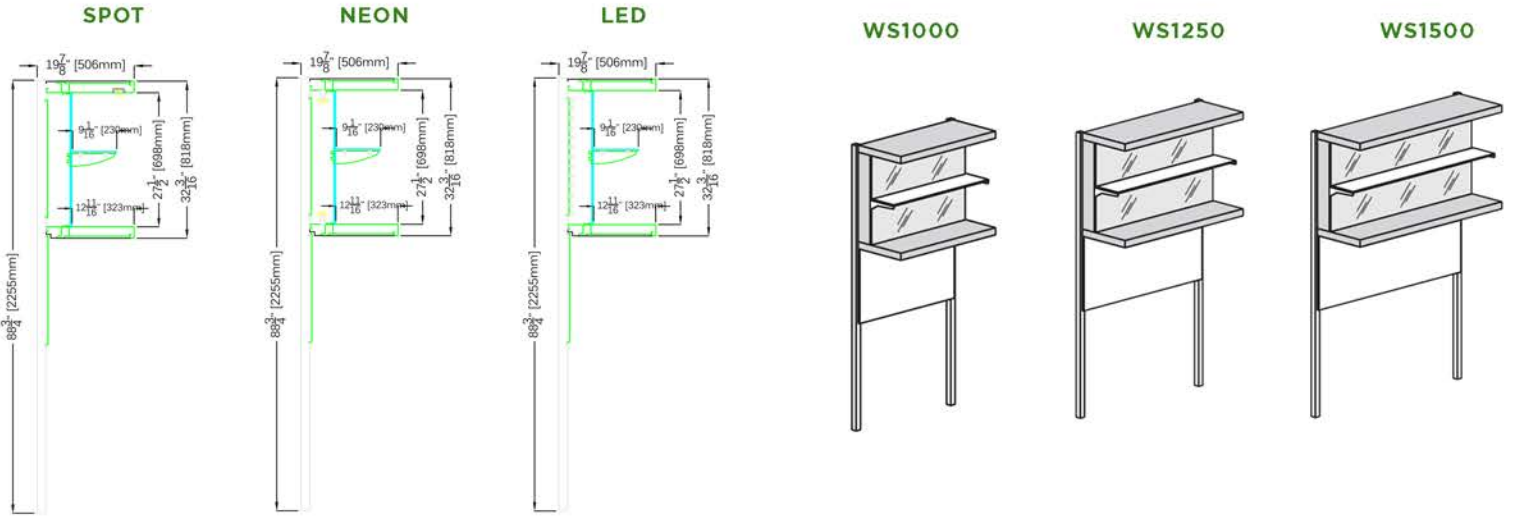


WALL SHELVING DISPLAY (OPTION) SPECIFICATIONS

MODELS	LENGTHS	DEPTHS	HEIGHT	WEIGHTS (LBS)
WSL1000	40" (1000mm)	11 3/8" (289mm)	88 1/8" (2238mm)	154
WSL1250	50" (1250mm)	11 3/8" (289mm)	88 1/8" (2238mm)	198
WSL1500	60" (1500mm)	11 3/8" (289mm)	88 1/8" (2238mm)	242
WSLA90	50" (1250mm)	11 3/8" (289mm)	88 1/8" (2238mm)	210
WSLC90	60" (1500mm)	11 3/8" (289mm)	88 1/8" (2238mm)	200

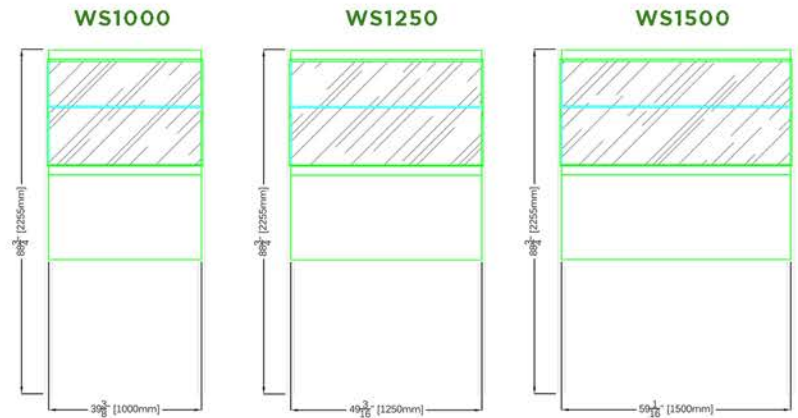
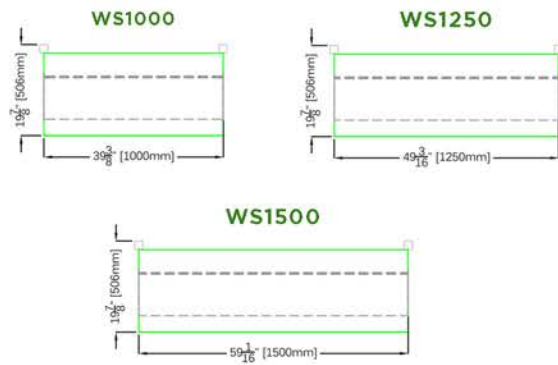


WALL SHELVING DISPLAY (STANDARD)



PLAN VIEWS

REAR ELEVATION (OPERATOR SIDE)



WALL SHELVING DISPLAY (OPTION)

