

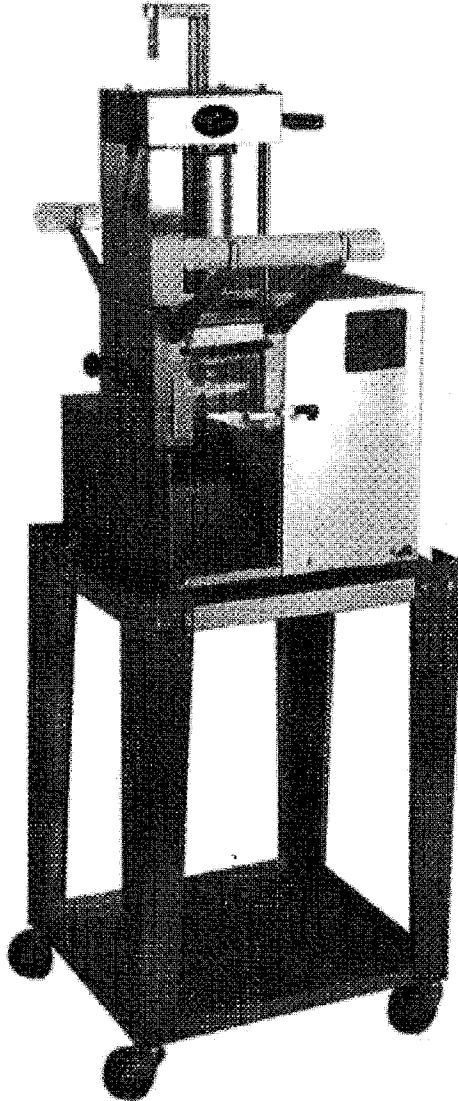
*Rosito
Bisani*

**PR30
RAVIOLI MAKER**

ITEM: _____

PROJECT: _____

DATE: _____



SPECIFICATIONS

- Commercial ravioli maker in stainless steel to be used in conjunction with the TR75/ TR95/ TR110 series pasta machine.
- 40 lb/hr ravioli production output.
- Adjustable filling portion control.
- Various ravioli size selection.

STANDARD FEATURES

- Ravioli maker in stainless steel construction.
- 40 lbs/hr production output.
- Adjustable filling portion control.
- Manual speed variator.
- Mobile rolling cart.

OPTIONS

- Various ravioli die size selection.
- Pasta tray.

*Rosito
Bisani*

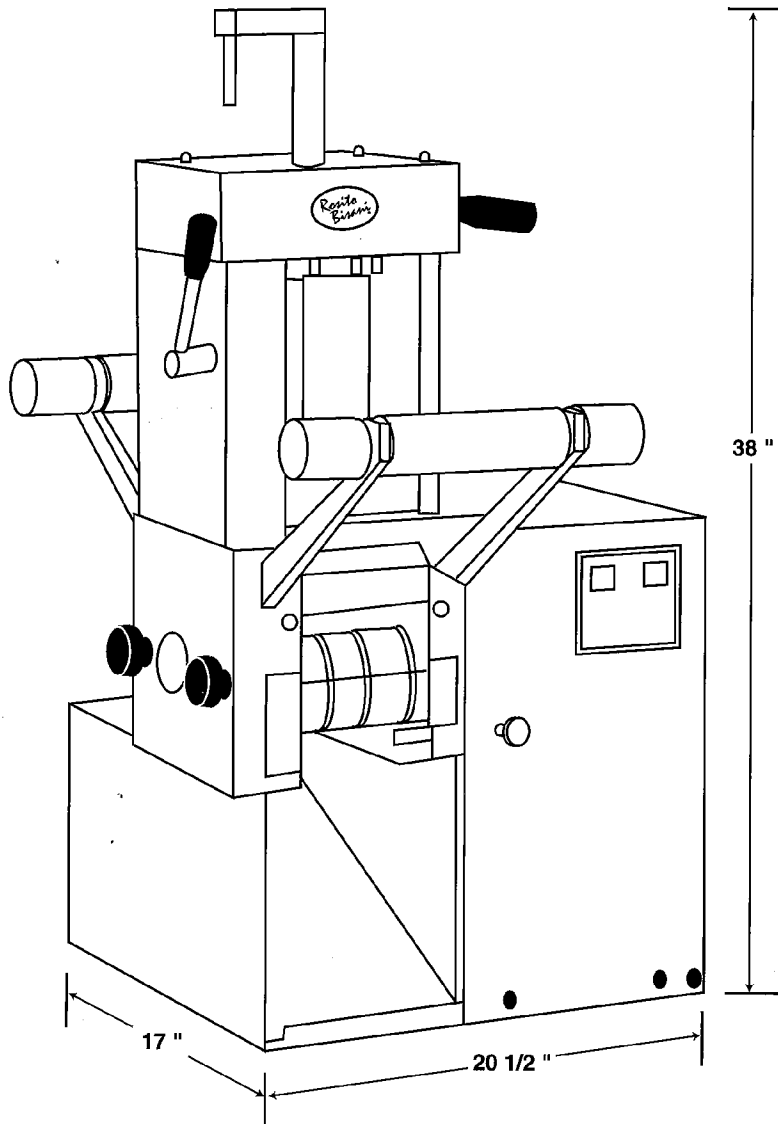
**MODEL
PR30
RAVIOLI MAKER**

PR30 RAVIOLI MAKER

Rosito Bisani Imports, Inc. • 940 S. La Brea Ave. • Los Angeles, CA 90036 • (323) 937-1888

Toll Free: 1-800-848-4444 • FAX: (323) 938-0728

Online: www.rosito-bisani.com • e-mail: sales@rosito-bisani.com



DIMENSIONS W D H	V.	PH.	AMPS	HZ	WT.	PRODUCTION OUTPUT	DIES AVAIL.	COLOR
					SHIP WT.			
20 1/2" 17" 38"	220	1	11.4	60	154	40 LBS/HR.	7	STAINLESS STEEL
20 1/2" 18" 67"					200			

Rosito and Bisani Imports reserve the right to make changes in design specifications and / or to make additional improvements in it's products without imposing any obligations upon itself to install them on products previously manufactured. © 2003.