



Rosita Bisani

SPECIALTY FOOD SERVICES EQUIPMENT

Pasta Sheeter
C-230



STANDARD FEATURES

- Electric pasta maker produces sheets of lasagna, fettuccine, tagliolini, pappardelle and spaghetti.
- Heavy duty construction and stainless steel finish.
- 44 lbs/hr. production output capacity.
- Adjustable pasta sheet thickness.
- Emergency stop button.
- Built-in safety grill.
- 220 volts.

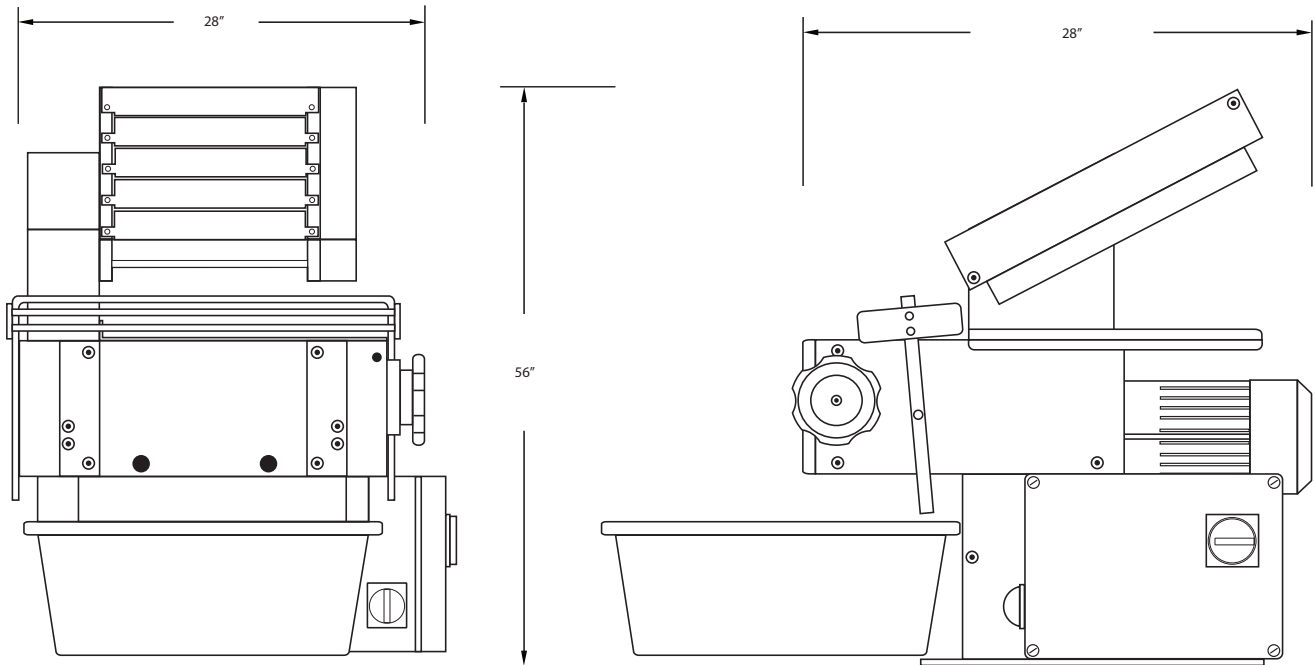
ITEM:

PROJECT:

DATE:

Pasta Sheeter
C-230

Pasta Sheeter C-230



pasta sheet width	width (inches)	depth (inches)	height (inches)	output (per hour)	voltage	amps	shipping weight
240 mm. (9.4 in.)	28	28	56	44 lbs.	220	10	320 lbs.

Rosito Bisani Imports, Inc.
940 South La Brea Avenue, Los Angeles CA, 90036
Tel: 323-937-1888 • Fax: 323-938-0728 • Toll Free: 1-800-848-4444
E-mail: sales@rosito-bisani.com
www.rosito-bisani.com
530 South Henderson Road, Suite F, King of Prussia PA, 19406
Tel: 610-265-5950 • Fax: 888-576-8524

