

Forza Express Speed Oven



PERFORMANCE

- The Forza Express utilizes precisely controlled impinged air and infrared element to deliver increased heat transfer rates, resulting in cook times up to 50% faster. The Forza Express ovens are equipped with a easily removable catalytic converter, which breaks down grease-laden vapors allowing for ventless operation.

FEATURES

- Up to 80 recipes with 6 steps each
- USB port to upload/download recipes
- Easy to clean
- Cooks up to 50% faster than traditional ovens
- Adjustable temperature from 86F (30C) to 608F (320C)
- User friendly interface
- Cool to the touch exterior
- Certified ventless with easy removable catalytic converter
- Variable-speed impingement airflow
- Independently controlled top and bottom heaters
- Ventless side panels allow for zero side clearance installation
- Allows the use of metal pans
- Constructed from AISI430 (exterior) and AISI304 (interior) stainless steel
- Manual mode for on-the-fly cooking
- Warranty – 1 year parts and labor

STANDARD ACCESSORIES

- Lloyd Pan Grill Plate
- Meteorite Baking Stone
- Crossfilm Solid Basket
- Chemco Dust Buster Oven Cleaner
- Chemco Oven Shield
- Green Scrub Pad
- Cleaning Towels
- Aluminum Paddle
- 13 3/4" Aluminum Pizza Screens
- USB Drive

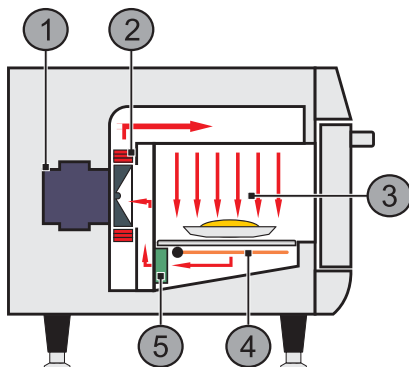
* Ventless cooking operation supported with the exception of foods classified as 'raw fatty proteins' such as bone-in, skin-on chicken, raw bacon, raw hamburger, etc.

* Ultimate ventless allowance is dependent upon AHJ approval, as some jurisdictions may not recognize the ETL certification or application.



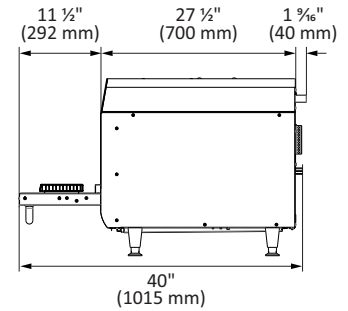
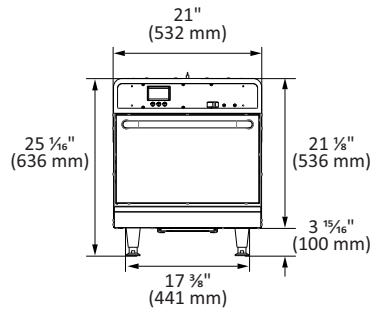
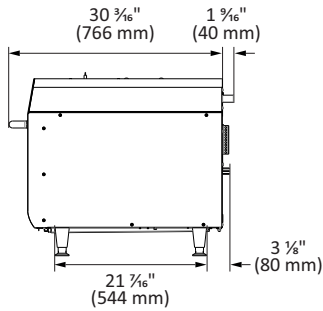
VENTILATION

- ETL Mark listed for ventless certification.
- EPA 202 test
 - Product: Pepperoni Pizza
 - Results: 1.82 mg/m3
 - Ventless Requirements: <5.00 mg/m3
- Easy to remove catalytic converter reduces grease, smoke, and odor emissions.

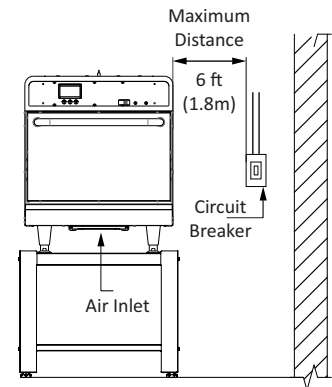
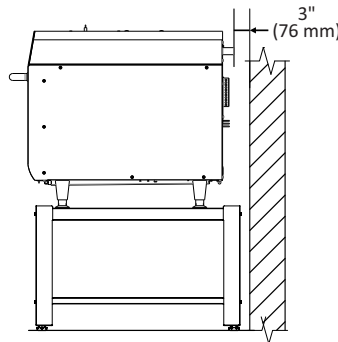
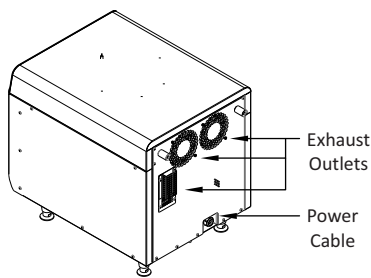


- | | |
|-----------------------|------------------------|
| 1. Blower Motor | 4. IR heater |
| 2. Impingement Heater | 5. Catalytic Converter |
| 3. Impinged Air | |

PRODUCT DIMENSIONS



INSTALLATION



ELECTRICAL SPECIFICATIONS

Ensure that the electrical characteristics of the building network are in accordance with the technical specifications located on the data badge located on rear panel of the unit. The outlet should be located no more than 6ft / 1.8m away from the unit.

This unit must be properly grounded to avoid electrical shock. This unit is equipped with a 3-prong plug. This plug must be connected to a properly installed and grounded outlet. In the event of an electrical short, properly grounding the unit reduces the risk of electrical shock by grounding the electrical current. The building electrical is the customer's responsibility.

| Forza Express | Voltage (V) | Phases | Freq. (Hz) | Power (kW) | Circuit (A) | Consum. (kWh) | Cable | Socket |
|--------------------|-------------|--------|------------|------------|-------------|---------------|--------------------|------------|
| USA/ Canada | 208 | Single | 60 | 5.5 | 30 | 4 | 3x10AWG | NEMA 6-30 |
| | 240 | Single | 60 | 6.5 | 30 | 4 | 3x10AWG | NEMA 6-30 |
| Brazil | 220 | Single | 50/60 | 5.8 | 32 | 4 | 3x4mm ² | 32A (2P+T) |
| Latin America 220V | 220 | Single | 50/60 | 5.8 | 32 | 4 | 3x4mm ² | 32A (2P+T) |
| Latin America 230V | 230 | Single | 50/60 | 6.7 | 32 | 4.7 | 3x4mm ² | 32A (2P+T) |
| Europe | 230 | Single | 50/60 | 6.7 | 32 | 4.7 | 3x4mm ² | 32A (2P+T) |

GENERAL INSTRUCTIONS

The oven must be installed on a base or counter that supports the weight of the unit (approximately 143 lbs. / 65 kg)

For proper ventilation, a minimum space of 3" (76mm) between the rear of the oven and the wall is required.

Do not block the air inlets and exhaust outlets located on the bottom and rear of the oven.

It is not recommended for the unit to be positioned near stoves, deep fryers, hot plates and other equipment that releases fat, fumes and heat.

The oven must be installed at a leveled and ventilated location.

Improper installation may void the equipment warranty.

DIMENSIONS

| Forza Express | Product dimensions | | | | Packing dimensions | | | |
|--------------------|--------------------|--------------|------------------|----------------|--------------------|--------------|------------------|---------------|
| | Height | Width | Depth | Weight | Height | Width | Depth | Weight |
| | 25 1/16" 636mm | 21" 532mm | 31 3/4" 806mm | 143lbs 65kg | 31 1/2" 800mm | 22" 560mm | 33 7/8" 860mm | 191lb 87kg |
| Chamber Dimensions | Capacity | | Height | | Width | | Depth | |
| | 0.74 cu.ft 21L | | 5 3/4" 146mm | | 15 1/2" 394mm | | 14 1/4" 362mm | |
| Wall Clearance | Left Side | | Back | | Right Side | | | |
| | 0" 0mm | | 3" 76mm | | 0" 0mm | | | |