



STANDARD FEATURES

- Electric pasta maker for production of various shapes of pasta.
- Production Capacity from 35~65 lbs per hour.
- Kneading Capacity 26.4 lbs.
- Stainless steel construction.
- Double walled mixing bowl.
- Safety cut-off switch.
- Water Cooled
- Interchangeable pasta die holder.
- Adjustable speed electric knife cutter.
- Built-in pasta drying fan.
- Mobile rolling cart.
- Pasta tray.

OPTIONS

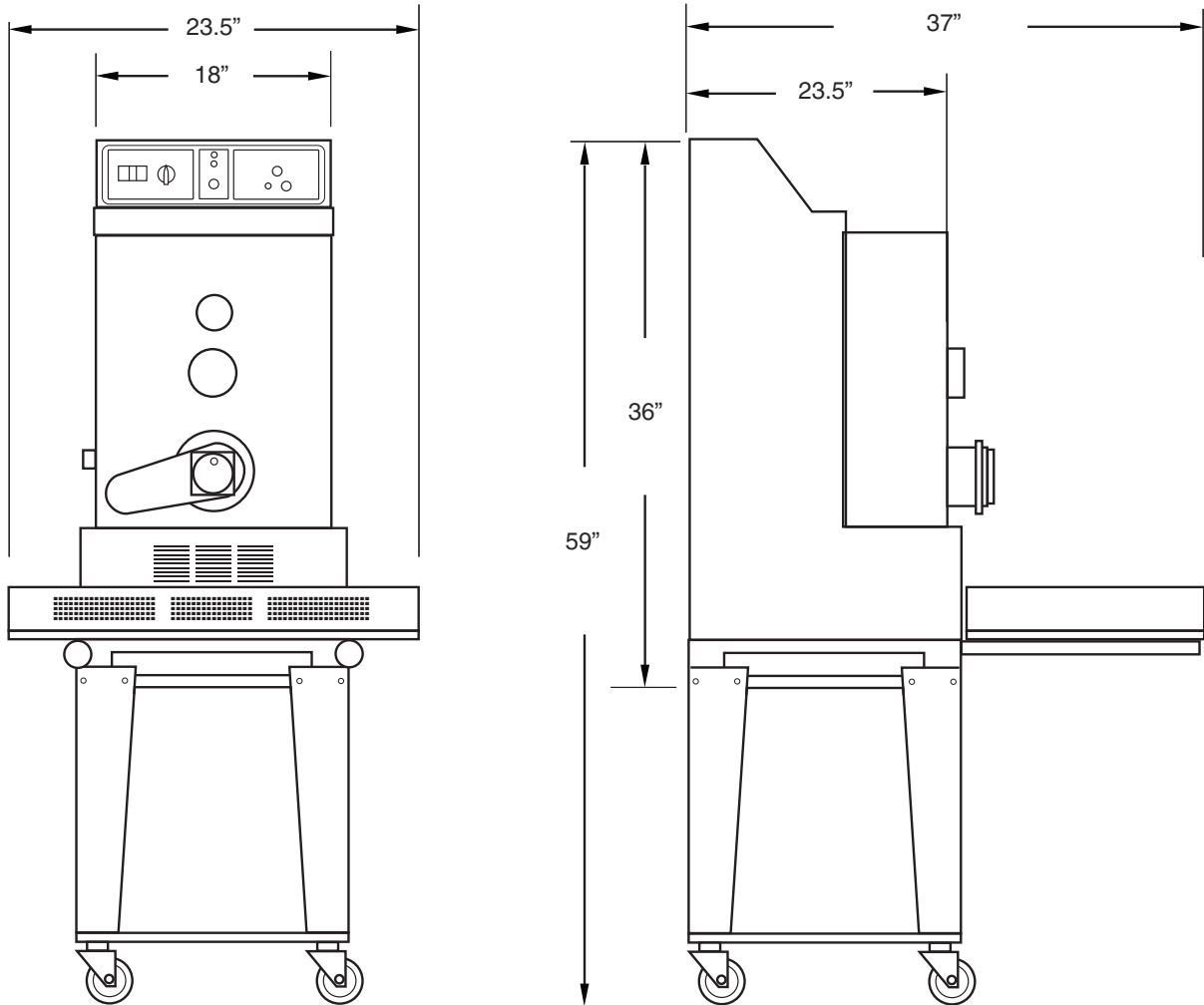
- Interchangeable pasta die molds i.e.; lasagna, angel hair, spaghetti, linguine, fettuccine.

ITEM:

PROJECT:

DATE:

Pasta Extruder TR/110



MODEL	MACHINE DIMENSION W x D x H (inches)	CART DIMENSION W x D x H (inches)	PRODUCTION (per hour)	WEIGHT (lbs.)	SHIP WT. (lbs.)	HORSE POWER	VOLTAGE	PHASE	HZ.	AMPS
TR/110	18 x 37 x 36	18 x 23.5 x 23	55~65 lbs.	295	345	1.5	220	1	60	5.5 (3ph) 7.1 (1ph)

Rosito Bisani Imports, Inc.
940 South La Brea Avenue, Los Angeles CA, 90036
Tel: 323-937-1888 • Fax: 323-938-0728 • Toll Free: 1-800-848-4444
E-mail: sales@rosito-bisani.com

www.rosito-bisani.com

530 South Henderson Road, Suite F, King of Prussia PA, 19406
Tel: 610-265-5950 • Fax: 888-576-8524



Intertek