



Rosita Bisani

SPECIALTY FOOD SERVICES EQUIPMENT

Hard Cheese Grater
CG 150



STANDARD FEATURES

- Commercial electric hard cheese grater.
- High polished stainless steel construction.
- One horsepower motor.
- Stainless steel mixing bowl.
- Steel spiral gear.
- Special anti-corrosive aluminum alloy.
- Anti-jamming reverse mechanism.
- 150 pounds per hour capacity.
- 110Volts

ITEM:

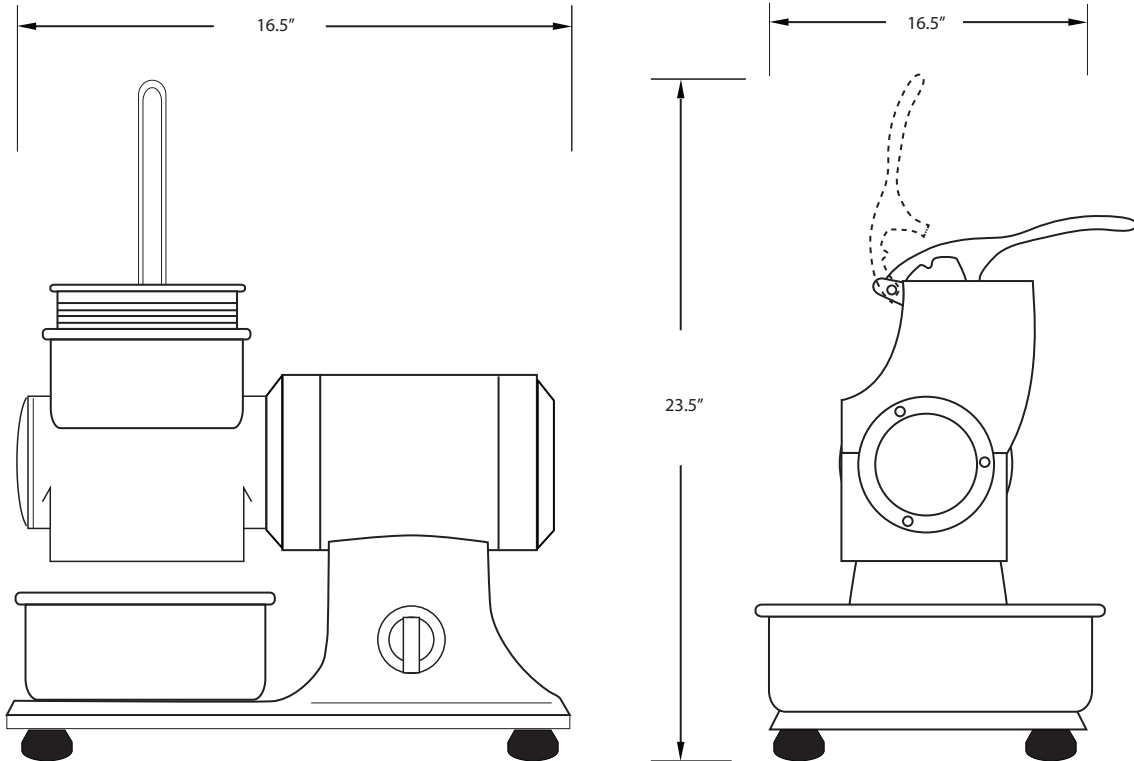
PROJECT:

DATE:

Hard Cheese Grater
CG 150



Hard Cheese Grater CG 150



Dimensions (inches)			Weight Shipping Wt.	Volts	Amps	H/P	RP	Capacity Output (Per/Hr.)
W	D	H						
16.5	10	23.5	50 lbs. 60 lbs.	110	10	1	1	150 lbs.

Rosito Bisani Imports, Inc.
 940 South La Brea Avenue, Los Angeles CA, 90036
 Tel: 323-937-1888 • Fax: 323-938-0728 • Toll Free: 1-800-848-4444
 E-mail: sales@rosito-bisani.com

www.rosito-bisani.com

530 South Henderson Road, Suite F, King of Prussia PA, 19406
 Tel: 610-265-5950 • Fax: 888-576-8524



Intertek

Rosito and Bisani Imports reserve the right to make changes in design specifications and/or to make additional improvements in its products without imposing any obligations upon itself to install them on products previously manufactured. © 2013.