

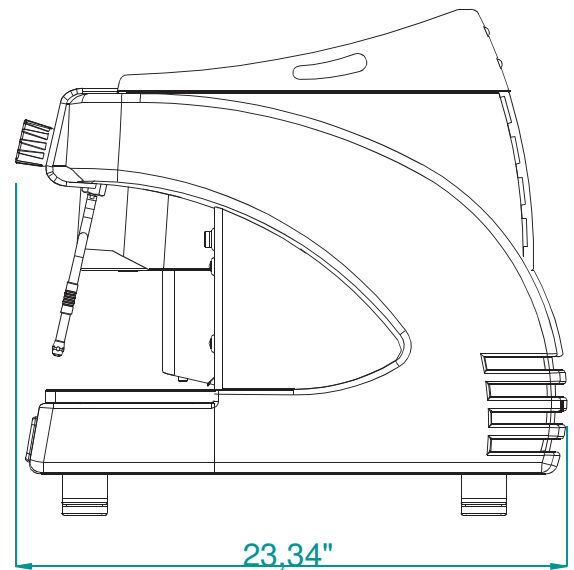
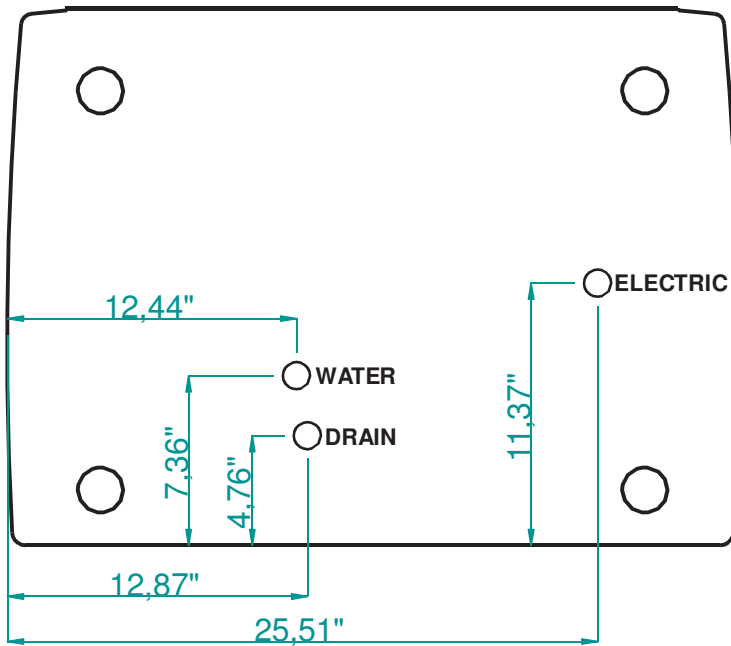
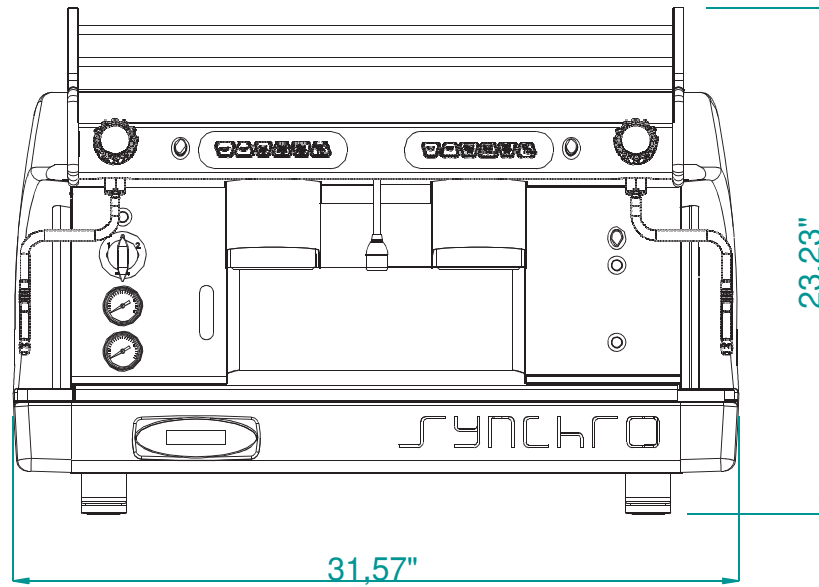


## SPECIFICATIONS

- Two-group fully automatic electronic espresso machine with 1 to 4 cup simultaneous delivery capability with "Light Illumination" .
- Available also with deep drip tray, little grid sliding and little spout to accommodate cups from 3,15" to 6,30" inches high.
- Coffee delivery independently controlled by a microprocessor system that allows user to program dosage level.
- Thermal heat exchanger per group guarantees a perfect cup of coffee blend or working condition.
- Ideal for any size operation of espresso bar, hotel, restaurant or cafe featuring advanced technology and ultra modern design for today's market.



# SYNCHRO



FRONT (BOTTOM VIEW)

BREW DEVICE	CUPS PER GROUP	W / D / H		BOILER CAP (LITERS)	V.	AMP.	PH.	Hz.	WATTS	WT. (Kg/lbs)		INCOMING H2O	DRAIN	MIN/MAX bar
		W	D							H	SHIP. WT. (Kg/lbs)			
2	4	31,57"	23,34"	21,92"	14	220	19	1	60	4100	70/154	3/8" MALE	Ø9mm	2 / 5
		31,57"	23,34"	23,23"										