



*Rosita Bisani*

SPECIALTY FOOD SERVICES EQUIPMENT

Synchro I  
1 Group Espresso Machine



**STANDARD FEATURES**

- One group automatic espresso machine with 1-2 cup simultaneous delivery capacity
- Volumetric touchpad with programmable dosages
- Automatic back-flush cleaning program per group
- Independent Continuous button for semi-automatic operation
- One Stainless Steel Swivel Steam jet
- One Stainless Steel hot water jet
- Sleek, modern, and art decorative design
- Classic thermal brewing group with dynamic pre-infusion ensures optimal espresso extraction
- Certified ETL, NSF



**Optional**

- Available Colors: Black, Red, Chrome, Orange, White
- Deep Drip Tray to Accommodate Large Take Out Cups
- APS Automatic Steam Wand for Cappuccino and Latte

ITEM:

PROJECT:

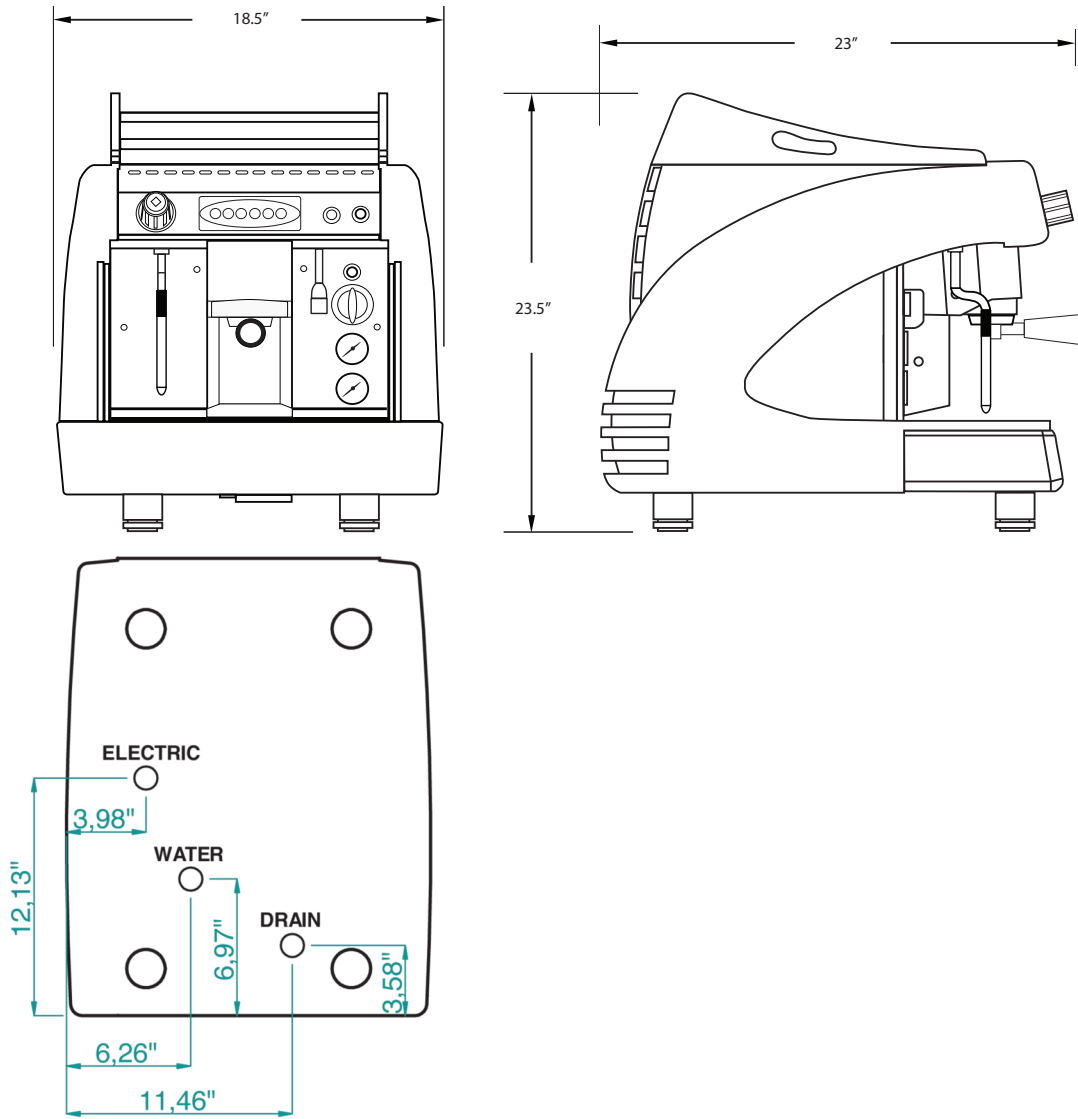
DATE:

**Synchro 1  
1 Group Espresso Machine**



**Rosito Bisani**  
SPECIALTY FOOD SERVICES EQUIPMENT

# Synchro I I Group Espresso Machine



FRONT (BOTTOM VIEW)

BREW DEVICE	CUPS PER GROUP	W x D x H	BOILER CAPACITY (liters)	V.	AMP.	P.H.	Hz	WATTS	WEIGHT (Kg./Lbs.)	SHIPPING WEIGHT (Kg./Lbs.)	INCOMING H <sub>2</sub> O	DRAIN	MIN/MAX bar
1	2	18.5 x 23 x 23.5	4	120	16	1	60	1950	35/77	39/86	3/8" MALE	Ø9mm INTERNAL	2 / 5

**Rosito Bisani Imports, Inc.**  
940 South La Brea Avenue, Los Angeles CA, 90036  
Tel: 323-937-1888 • Fax: 323-938-0728 • Toll Free: 1-800-848-4444  
E-mail: sales@rosito-bisani.com  
**www.rosito-bisani.com**  
530 South Henderson Road, Suite F, King of Prussia PA, 19406  
Tel: 610-265-5950 • Fax: 888-576-8524  
E-mail: rbe@rosito-bisani.com



*Rosito and Bisani Imports reserve the right to make changes in design specifications and/or to make additional improvements in it's products without imposing any obligations upon itself to install them on products previously manufactured. © 2013.*