

# PROOFER

BAKERY



# PROOFER

Models | PPR1-1S | PPR1-2S | PPR1-3S | PPR2-2S | PPR2-4S | PPR2-2D | PPR2-4D | PPR4-4D

## WHY SHOULD YOU USE THE PROOFER ?

### THE PICARD ROLL-IN-RACK PROOFER IS AN ADDED VALUE TO YOUR BAKERY !

Picard Proofers will save you time and money. They will help you create quality products in faster time. The Proofers have glass door design so you can monitor your proofing process. All the Proofers allow you to control both temperature and humidity.



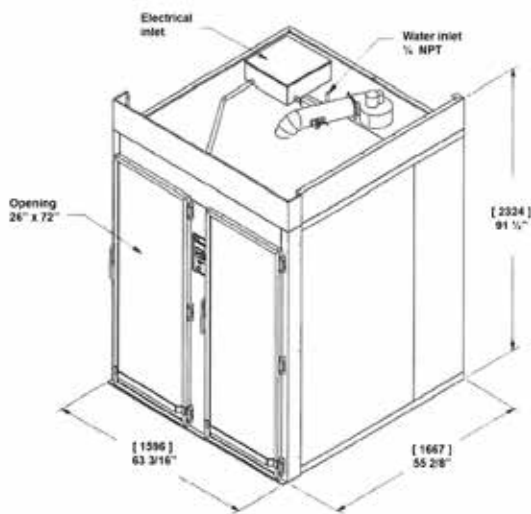
#### MACHINE DIMENSIONS

##### PPR2-2S



#### MACHINE DIMENSIONS

##### PPR2-4S



#### BASIC FEATURES

- Stainless steel interior, including ceiling and floor
- Stainless steel and aluminized exterior panels
- Glass doors with anodized aluminum frame
- Stainless steel heating and humidification box inside the proofer
- Stainless steel air duct
- Relative humidity up to 80 % and temperature to 120 °F
- Aluminum bumpers
- 1-1/2" thick insulated walls
- Safety handle to exit the proofer
- Eyes height digital controls
- Interior lighting
- Other models available upon request

#### INSTALLATION

A Picard approved installer will unload and assemble the Proofer.

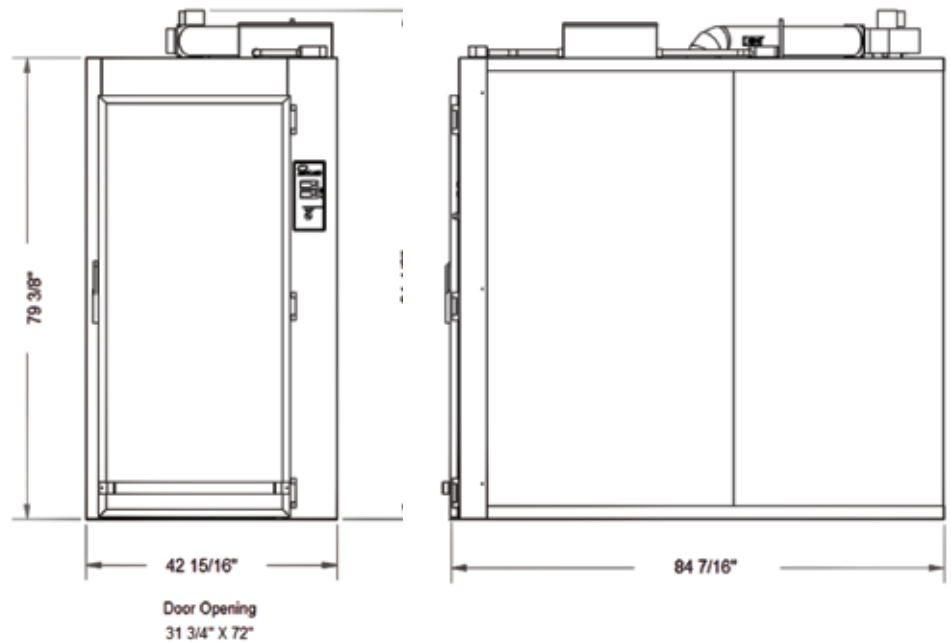
# PROOFER

Models | PPR1-1S | PPR1-2S | PPR1-3S | PPR2-2S | PPR2-4S | PPR2-2D | PPR2-4D | PPR4-4D



## MACHINE DIMENSIONS

### PPR1-3S



## PROOFER CAPACITY

Model	Single rack	Double rack
PPR1-1S	1	N/A
PPR1-2S	2	1
PPR1-3S	3	1
PPR2-2S	2	N/A
PPR2-4S	4	2
PPR2-2D	4	2
PPR2-4D	8	4
PPR4-4D	8	4

## CLEARANCES REQUIRED

Model	Floor to ceiling	Sides and back to wall	Floor
All models	96"	0"	Approved for combustible surface

## TECHNICAL FEATURES

Model	Amperage	Wattage (W)	Limit temp.	Max. humidity
All models	120-240V / 1PH / 28A	6 000	120 °F	80 %
	120-208V / 3PH / 23A			

Model	Door opening	Number of doors	Height (In)	Width (In)	Depth (In)	Amps	Water pipe (In)
PPR2-2S	26" x 72"	2	79 1/2"	65 1/4"	38 1/4"	23A	1/4 NPT
PPR1-3S	31 1/4" x 72"	1	79 1/2"	43"	83"	23A	1/4 NPT
PPR2-4S	26" x 72"	2	79 1/2"	65 1/4"	65 1/4"	23A	1/4 NPT
PPR4-4D	34" x 78"	2	85 1/2"	81 1/4"	84 1/4"	67A	1/4 NPT

Note : It is recommended to install a sediments filter on the water inlet.

\* Continuous product development is a policy at Picard. Therefore, we reserved the right to modify these features and/or the design without prior notification.

\*\* Please call factory for other available sizes.